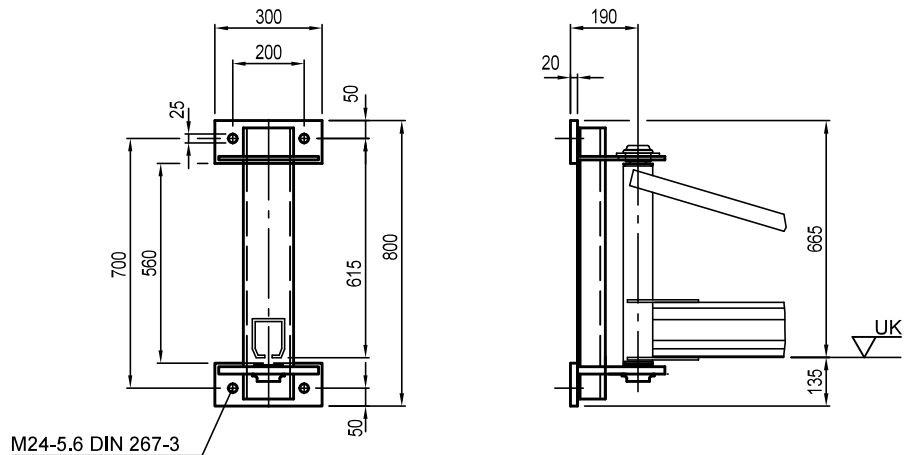


weight of jib arm 87 kg
weight of hoist + trolley 23 kg

mounting on wall bracket



weight of wall bracket
33 kg

© ABUS Kransysteme GmbH - šideikar0216_20140115_09551546
221037 - 001

Strele Industrial UAB
Montuotoju 5
89101 Mažeikiai
phone +370 443 68-197
fax +370 443 68-345

wall jib crane, model LW

250 kg x 3650 mm LW 36

021600-0000000-20140115-01 / 1

ABUS

person in charge: Šideika ,R.
Date: 15/01/2014