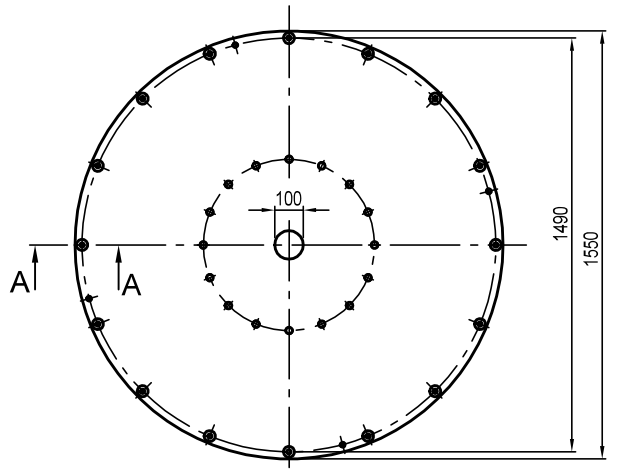
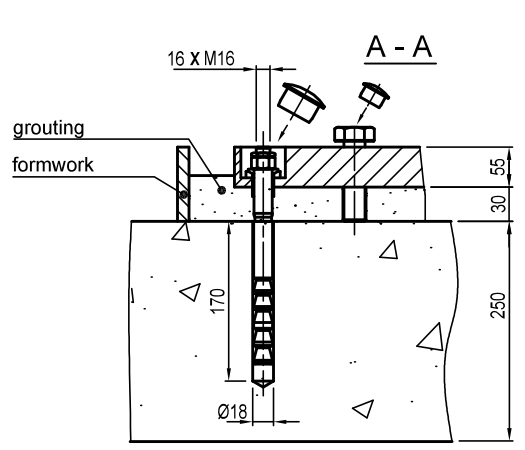


mounting using dowel plate



weight of dowel plate VS 457-II
811 kg

© ABUS Kransysteme GmbH - sideika0216_20151130_07370937

221323 - 003

Strele Industrial UAB
Montuotoju 5
89101 Mažeikiai
phone +370 443 68-197
fax +370 443 68-345

pillar jib crane, model VS
1000 kg x 7000 mm VS 457
021600-0000000-20151130-01 / 1

ABUS
person in charge: Šideika ,R.
Date: 30/11/2015